



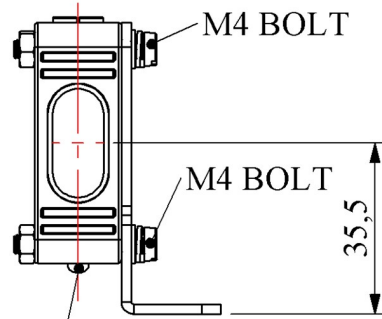
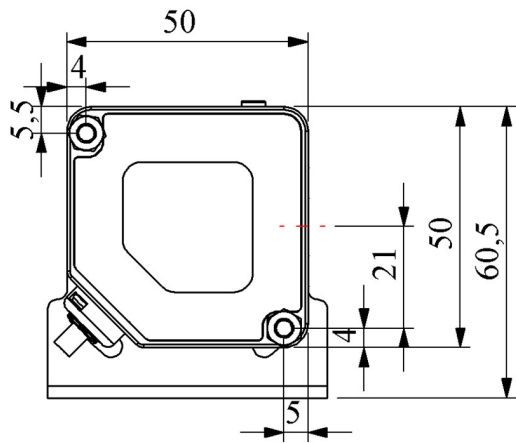



**SPQ50DP2CC2**

<b>Product</b>	Square Photoelectric Sensor
<b>Serial</b>	SPQ Series Square Photoelectric Sensor
<b>Body Material</b>	Plastic
<b>Type</b>	Diffuse Reflection
<b>Output/Contact Type</b>	Relay Output
<b>Sensing Distance</b>	1m
<b>Feature</b>	with LED
<b>Connection Type</b>	2m Cable
<b>Connection / Nominal Dimension</b>	50 mm
<b>Operational Voltage</b>	24-240 V AC/DC
<b>Operational Frequency</b>	50/60 Hz
<b>Current (Ie)</b>	250VAC 3A (rezistif)
<b>Insulation Voltage (Ui)</b>	1500 VAC
<b>Impulse Withstand Voltage (Uimp)</b>	75V DC
<b>Operating Temperature</b>	-20°C...+65°C
<b>Pollution Degree</b>	3
<b>Protection Degree</b>	IP50
<b>Hysteresis</b>	<%15 Sr (effective operating distance)
<b>Number of Contact</b>	1
<b>Repeat Accuracy</b>	<0,1 Sr
<b>Switching Frequency</b>	100 ms (Response Time)
<b>Temperature Drift</b>	<0,1 Sr
<b>Time Delay Before Availability</b>	≤100 ms
<b>Ripple (Voltage)</b>	< %10
<b>EMC</b>	61000-4-3 3V/m -- 61000-4-6 3
<b>Sensing Face</b>	PC

<b>Number of Cable and Cable Section</b>	5 x 0,25 mm <sup>2</sup>
<b>Production Time</b>	1.03.2023 00:00:00
<b>Specifications</b>	Fast switching
	Resistant to friction and attrition
	Short circuit and overload protection
	Reverse polarity protection
   	



CABLE:  $\phi 4,4$

