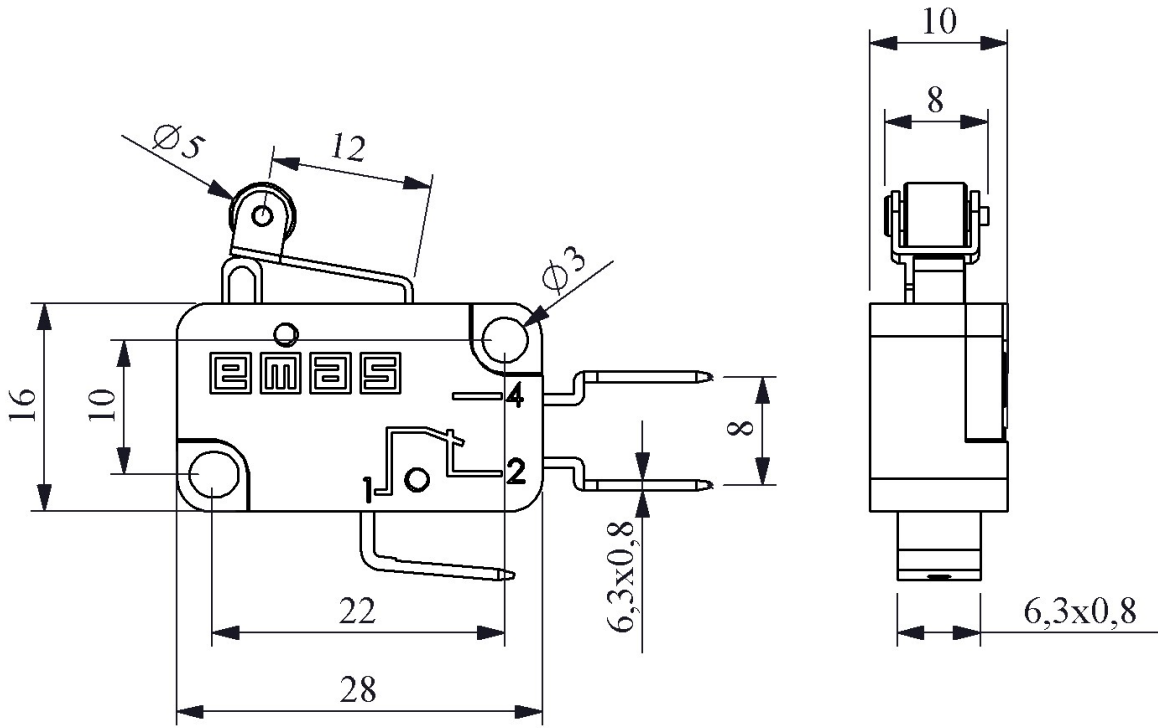




MK1MIM1

| | |
|---------------------------------------|---|
| Product | Micro Switch |
| Serial | MK1 Series |
| Actuator Material | Metal |
| Actuator | Short Lever Roller |
| Contact | 1CO |
| Current | Ie 6 A (250V AC) |
| Usage Category | AC15 |
| Mechanical Life (Min Qty) | 10000000 |
| Electrical Life (Min Qty) | 100000 |
| Operating Frequency (On-Off/Hour) | Mech. 3000 Elec. 1200 |
| Insulation Voltage (Ui) | 660V |
| Impulse Withstand Voltage (Uimp) | 2.5 kV |
| Dielectric Strength (Body-Contact) | 1.890V AC |
| Dielectric Strength (Contact-Contact) | 1.890V AC |
| Isolation Resistance | 10 MΩ min. (500V DC) |
| Operating Temperature | -25 / +80 °C |
| Pollution Degree | 3 |
| Protection Degree | IP20 |
| Contact Material | AgNi |
| Cable Section | Terminal 6,3*0,8 mm 1 kA |
| Specifications | V0 material Different actuator options |
| Standards / Certificates | TS EN 60947-5-1 |



Devre Şeması

