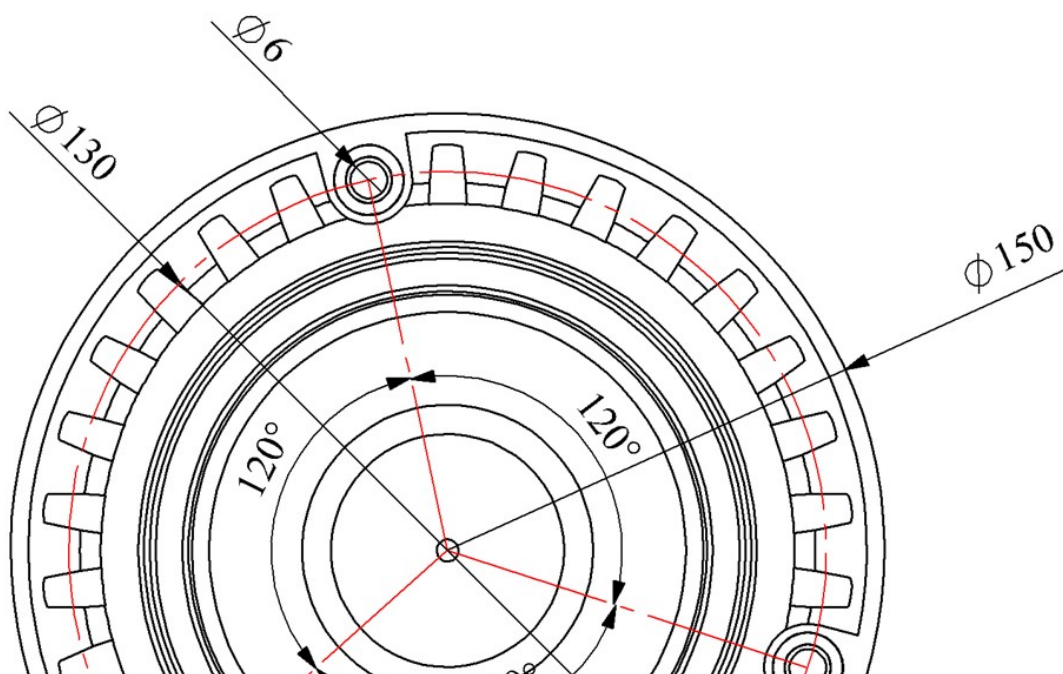
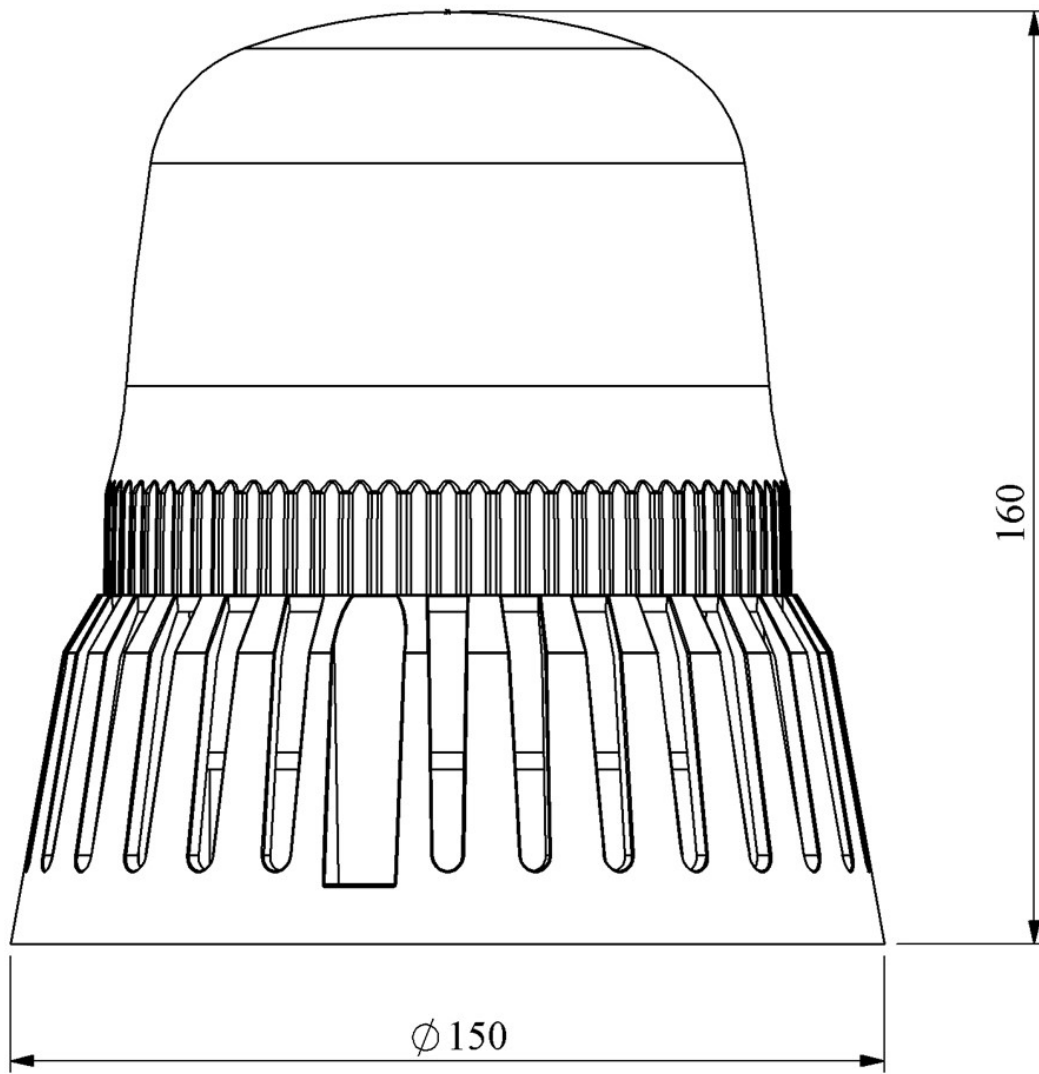



IT120Y220Z

Bulb Type		LED
Operational Frequency		50 Hz
Operational Voltage		220V AC
Product		LED Beacon 120mm
Color		Yellow
Insulation Voltage	Ui	300V
Dielectric Strength (Body-Contact)		1500V
Operating Temperature		-25 °C /+55 °C
Protection Degree		IP65
Cable Section		Cable 0,50 mm ²
Production Time		31.12.1899 00:00:00
Serial		IT Series
Buzzer		With Buzzer
Electrical Life	Min Hour	20000
Specifications	Heat resistant, clear vision Polycarbonate signal module	
	Monoblock construction	
	Easy wiring	



Spire.XLS

Free version is limited to 5 sheets per workbook and 200 rows per sheet. This limitation is enforced during reading or writing XLS or PDF files. When converting Excel files to PDF files, you can only get the first 3 pages of PDF file.

[Upgrade to Commercial Edition of Spire.XLS](#)