

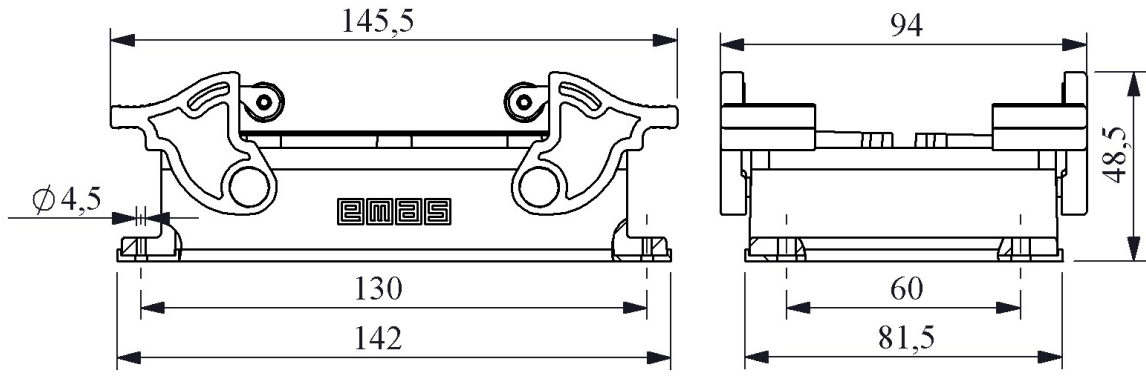

EBM48PM44

Operating Current		16A
Product		Multipole
Type		Machine Type Socket
Contact		48 Poles
Usage Category		AC15
Mechanical Life	Min Qty	≥ 500
Electrical Life	Min Qty	≥ 100
Operating Frequency	On-Off/Hour	Mech.240 Elec.120
Insulation Voltage	Ui	690V
Impulse Withstand Voltage	Uimp	6 kV
Dielectric Strength (Body-Contact)		1890V AC
Dielectric Strength (Contact-Contact)		3000V AC
Isolation Resistance		10 MΩ Min. (500 V DC)
Operating Temperature		-40 / +125 °C
Pollution Degree		2
Protection Degree		IP65
Body Material		Metal
Production Time		31.12.1899 00:00:00
Serial		EBM Series
Entry		Bottom Entry
Locking		4 Handle
Specifications		Wide product variety
		IP65 in closed position
		Universal inserts
		Easy cabling
		Different locking types
Standards / Certificates		Powdercoated metal housing
		TS EN 61984

CE



UK
CA



Kontak Sayısı: 2x(24P+E)