

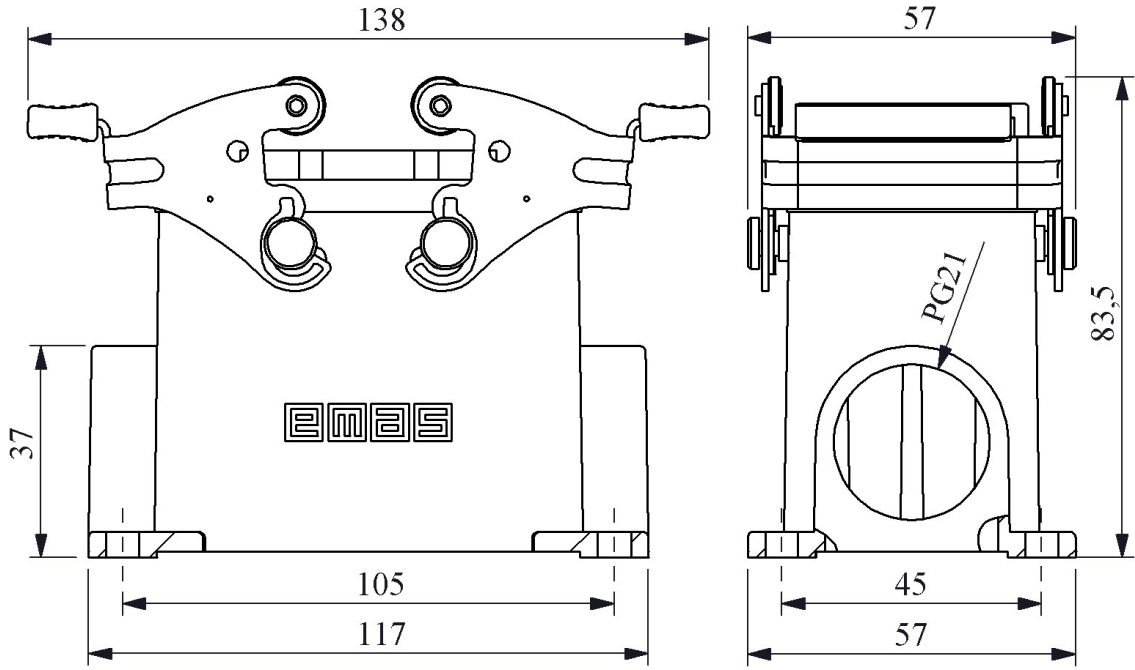


EBM16PD17	
Operating Current	16A
Product	Multipole
Type	Wall Type Socket
Contact	16 Poles
Usage Category	AC15
Mechanical Life	Min Qty ≥ 500
Electrical Life	Min Qty ≥ 100
Operating Frequency	On-Off/Hour Mech.240 Elec.120
Insulation Voltage	Ui 690V
Impulse Withstand Voltage	Uimp 6 kV
Dielectric Strength (Body-Contact)	1890V AC
Dielectric Strength (Contact-Contact)	3000V AC
Isolation Resistance	10 MΩ Min. (500 V DC)
Operating Temperature	-40 / +125 °C
Pollution Degree	2
Protection Degree	IP65
Body Material	Metal
Production Time	31.12.1899 00:00:00
Serial	EBM Series
Entry	Side Entry
Locking	2 Metal Handle
Specifications	Wide product variety
	IP65 in closed position
	Universal inserts
	Easy cabling
	Different locking types
Standards / Certificates	Powdercoated metal housing
	TS EN 61984

CE



UK
CA



Kontak Sayısı: 16P+E