

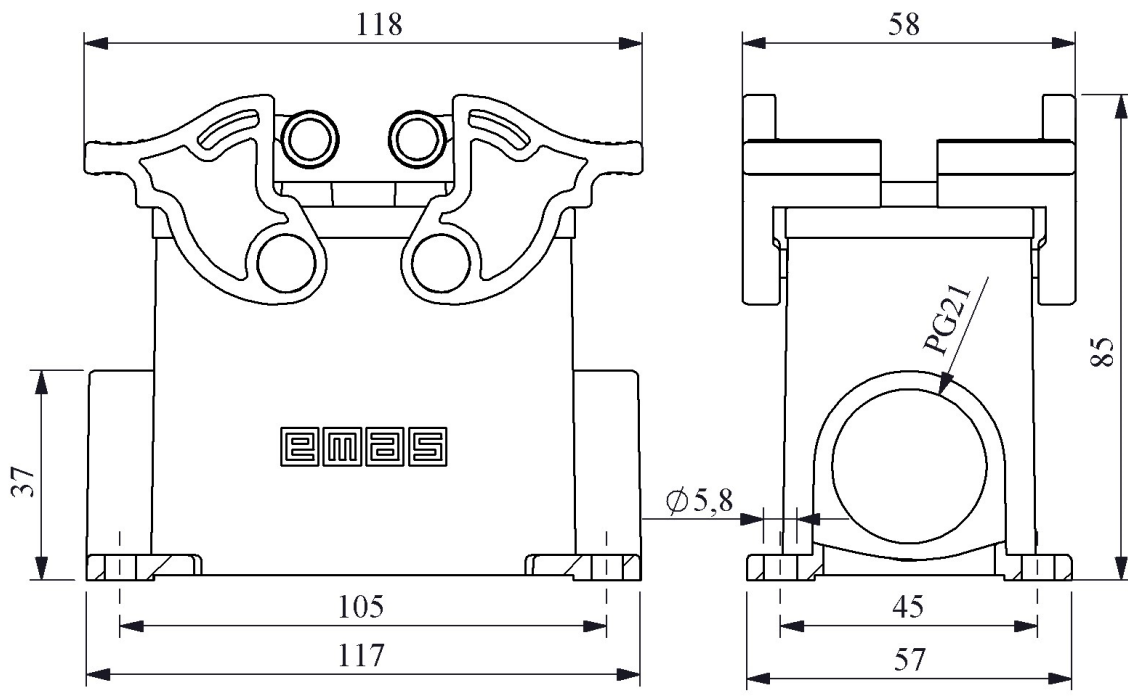

EBM16FD24

| | | |
|---------------------------------------|--------------------|----------------------------|
| Operating Current | | 16A |
| Product | | Multipole |
| Type | | Wall Type Plug |
| Contact | | 16 Poles |
| Usage Category | | AC15 |
| Mechanical Life | Min Qty | ≥ 500 |
| Electrical Life | Min Qty | ≥ 100 |
| Operating Frequency | On-Off/Hour | Mech.240 Elec.120 |
| Insulation Voltage | Ui | 690V |
| Impulse Withstand Voltage | Uimp | 6 kV |
| Dielectric Strength (Body-Contact) | | 1890V AC |
| Dielectric Strength (Contact-Contact) | | 3000V AC |
| Isolation Resistance | | 10 MΩ Min. (500 V DC) |
| Operating Temperature | | -40 / +125 °C |
| Pollution Degree | | 2 |
| Protection Degree | | IP65 |
| Body Material | | Metal |
| Production Time | | 31.12.1899 00:00:00 |
| Serial | | EBM Series |
| Entry | | Both Side Entry |
| Locking | | 4 Handle |
| Specifications | | Wide product variety |
| | | IP65 in closed position |
| | | Universal inserts |
| | | Easy cabling |
| | | Different locking types |
| Standards / Certificates | | Powdercoated metal housing |
| | | TS EN 61984 |

CE



UK
CA



Kontak Sayısı: 16P+E