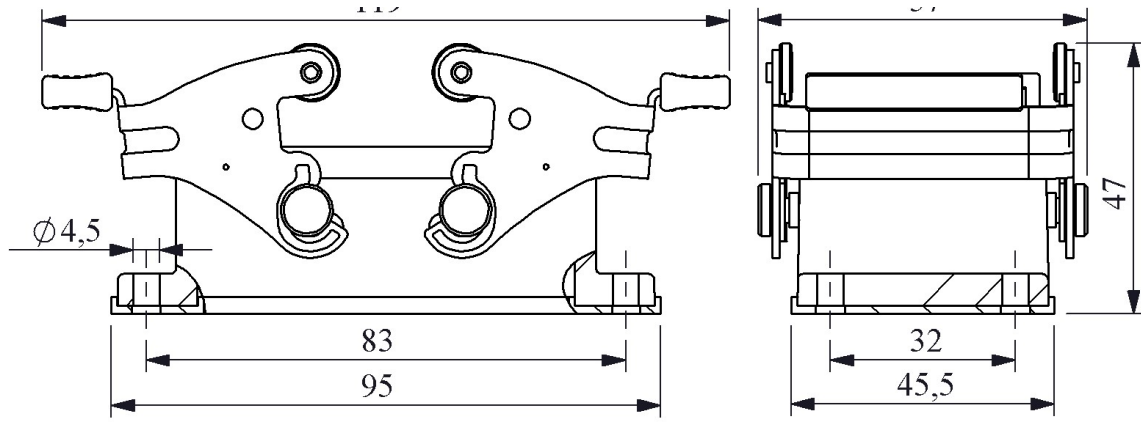




EBM10GM47

Product		Multipole
Type		Machine Type Empty Hood
Contact		10 Poles
Mechanical Life	Min Qty	≥ 500
Operating Frequency	On-Off/Hour	Mech.240
Operating Temperature		-40 / +125 °C
Protection Degree		IP65
Body Material		Metal
Production Time		31.12.1899 00:00:00
Serial		EBM Series
Entry		Bottom Entry
Locking		2 Metal Handle
Specifications		Wide product variety
		IP65 in closed position
		Universal inserts
		Easy cabling
		Different locking types
		Powdercoated metal housing





Kontak Sayısı: 10P+E