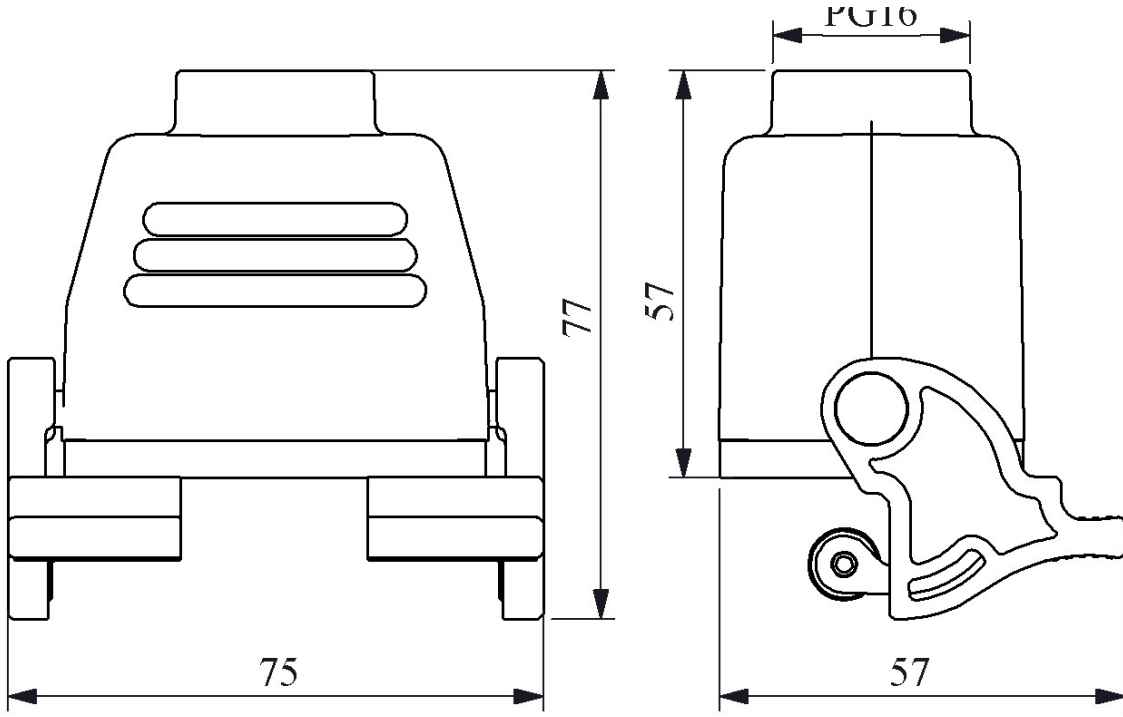




EBM06GU32

Product		Multipole
Type		Extension Type Empty Hood
Contact		6 Poles
Mechanical Life	Min Qty	≥ 500
Operating Frequency	On-Off/Hour	Mech.240
Operating Temperature		-40 / +125 °C
Protection Degree		IP65
Body Material		Metal
Production Time		31.12.1899 00:00:00
Serial		EBM Series
Entry		Top Entry
Locking		2 Handle
Specifications		Wide product variety
		IP65 in closed position
		Universal inserts
		Easy cabling
		Different locking types
		Powdercoated metal housing





Kontak Sayısı: 6P+E