

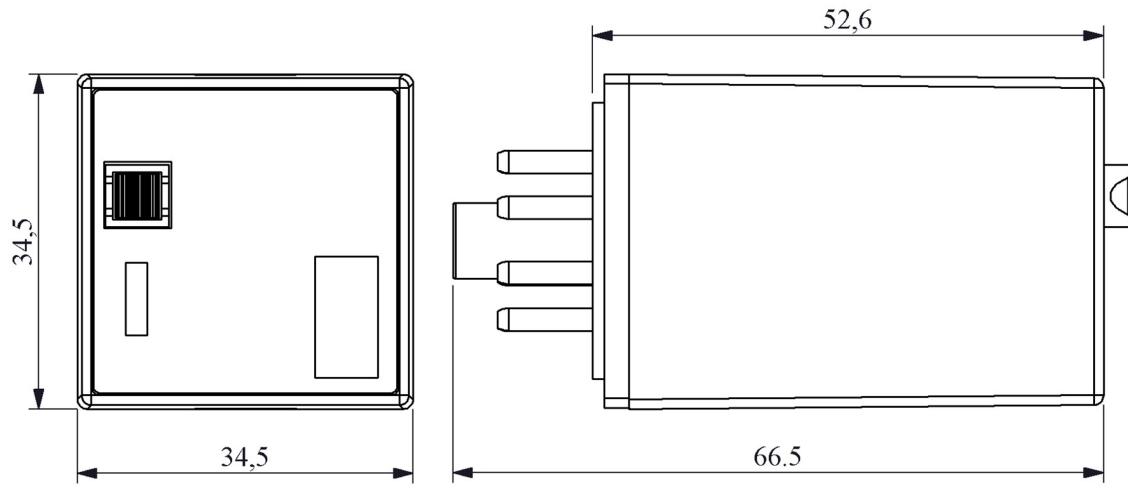


RE1P08DC110

| | |
|--|---|
| Product | Power Relay |
| Serial | RE1 Series |
| Contact | 2CO |
| Pin | 8 Pin |
| Contact Material | AgNi 90/10 |
| | 9.10X2.5mm |
| Connection Type | Plug-in |
| Operational Voltage | 110VDC |
| Current (Ie) | 10A |
| Voltage | 250V AC |
| Usage Category | AC-1 |
| Mechanical Life (Min Qty) | 10000000 |
| Electrical Life (Min Qty) | 100000 |
| Operating Frequency (On-Off/Hour) | Mech. 18.000 Elec. 600 |
| Insulation Voltage (Ui) | 300 V |
| Impulse Withstand Voltage (Uimp) | 1,5kV |
| Dielectric Strength (Body-Contact) | 2.500 Vrms |
| Dielectric Strength (Contact-Contact) | 1.500 Vrms |
| Isolation Resistance | MIN. 10 MΩ (500 V DC) |
| Operating Temperature | -15 / +80 °C |
| Pollution Degree | 3 |
| Protection Degree | IP40 |
| Specifications | V0 PA 6.6 material |
| | DIN 35mm rail mountable with 8 and 11 pin socket |
| | Body design and connection ends for quick and error-free assembly |
| | Test button and indicator |
| | Large labelling area for code writing |

Standards / Certificates TS EN 61810-1





Devre Şeması

