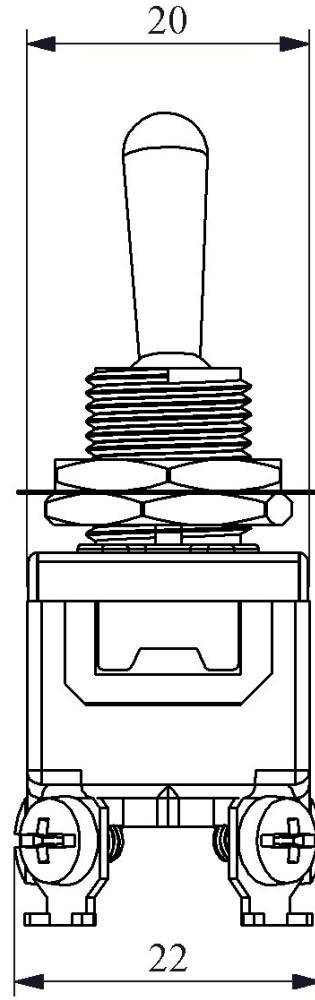
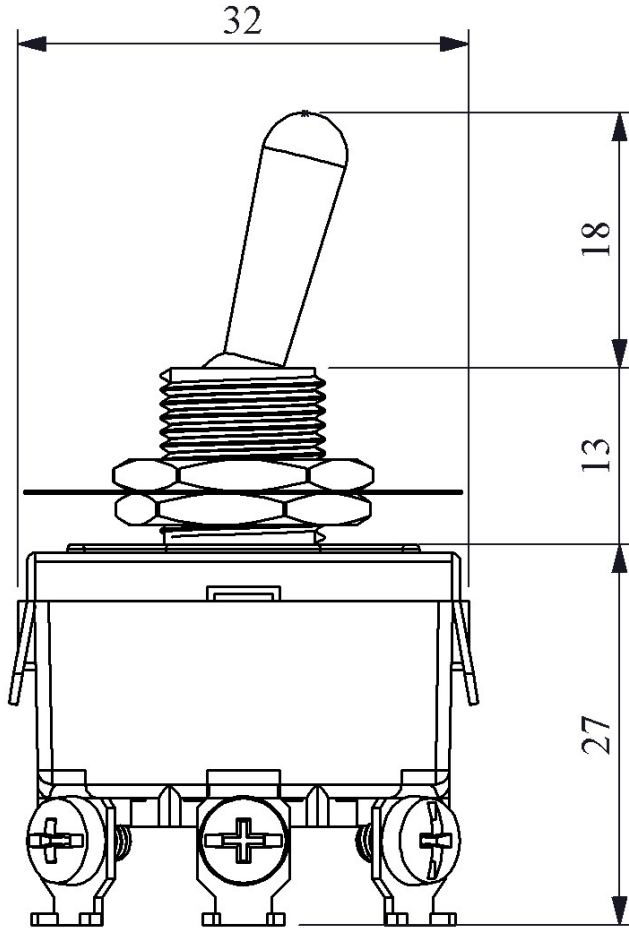


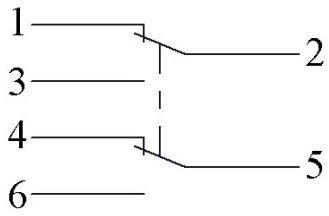


MA123	
Product	Toggle Switch
Serial	MA Series
Contact	1NO+1NO
Connection Type	with Screw
Feature	with extra Plastic Handle
Print	(On-Off-On) Marked
Current	I_e 16 A (250V AC)
Usage Category	AC15
Mechanical Life (Min Qty)	100000
Electrical Life (Min Qty)	10000
Operating Frequency (On-Off/Hour)	Mech.900 Elec.900
Insulation Voltage (U_i)	300V
Impulse Withstand Voltage (U_{imp})	2.5 kV
Dielectric Strength (Body-Contact)	2.500V AC
Dielectric Strength (Contact-Contact)	1.500V AC
Isolation Resistance	10 MΩ min. (500V DC)
Operating Temperature	-25 / +80 °C
Pollution Degree	3
Protection Degree	IP20
Contact Material	AgNi
Cable Section	1-2.5 mm ²
Screw Torque	1,5 Nm
	1 kA
Specifications	V0 material
Standards / Certificates	TS EN 61058-1





Devre Şeması



Montaj Ölçüsü $\phi 12$ mm