



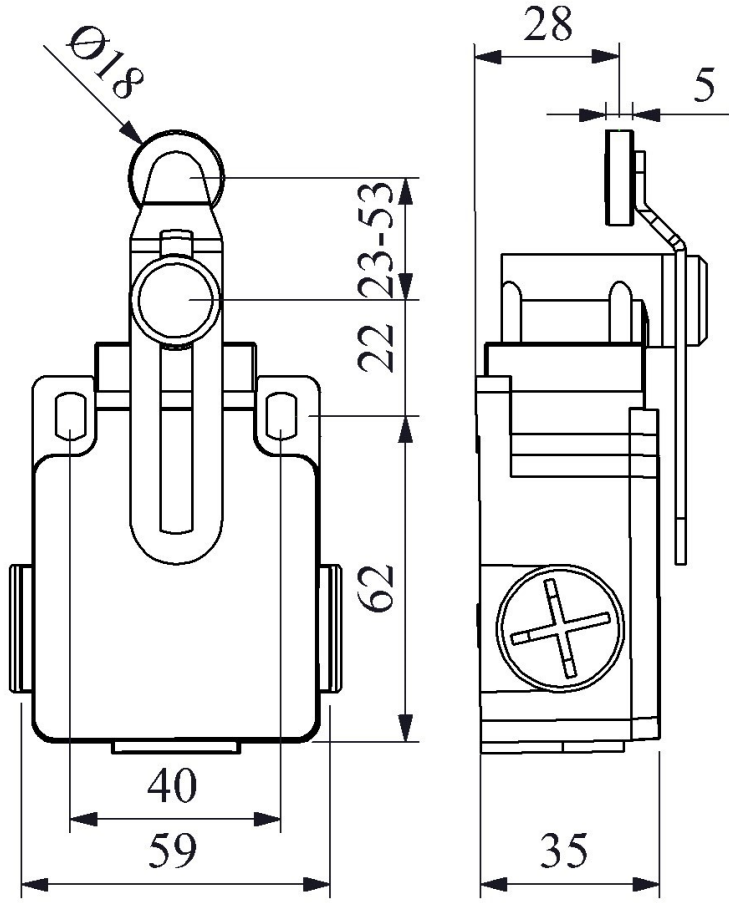
L2K13MEM124

| | |
|--|---|
| Product | Limit Switch |
| Serial | L2 Metal Body |
| Actuator Dia | 18 mm |
| Actuator Material | Metal |
| Actuator | Adjustable Roller Arm |
| Contact Action | Snap Action |
| Contact | 1NO+1NC |
| Current (Ie) | 3 A (240V AC) |
| Usage Category | AC15 |
| Mechanical Life (Min Qty) | 10000000 |
| Electrical Life (Min Qty) | 1000000 |
| Operating Frequency (On-Off/Hour) | Mech. 3000 Elec. 1800 |
| Insulation Voltage (Ui) | 300 V |
| Impulse Withstand Voltage (Uimp) | 2.5 kV |
| Dielectric Strength (Body-Contact) | 1.890V AC |
| Dielectric Strength (Contact-Contact) | 1.890V AC |
| Isolation Resistance | 10 MΩ (500 V DC) |
| Operating Temperature | -25 / + 80 °C |
| Pollution Degree | 3 |
| Protection Degree | IP65 |
| Contact Material | AgNi |
| Cable Section | 1-2.5 mm ² |
| Screw Torque | 1.5Nm |
| | 1 kA |
| Specifications | Metal Body and Plastic Cover |
| | 3 cable entries suitable for PG13.5 or M20x1.5 optional gland |
| | Changeable contact block |

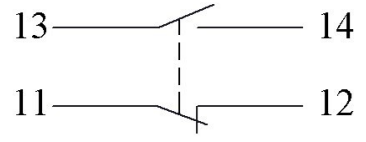
Different actuator options

Standards / Certificates TS EN 60947-5-1 UL 508 VDE 0660





Devre Şeması



Ani Hareketli



Akış Diyagramı