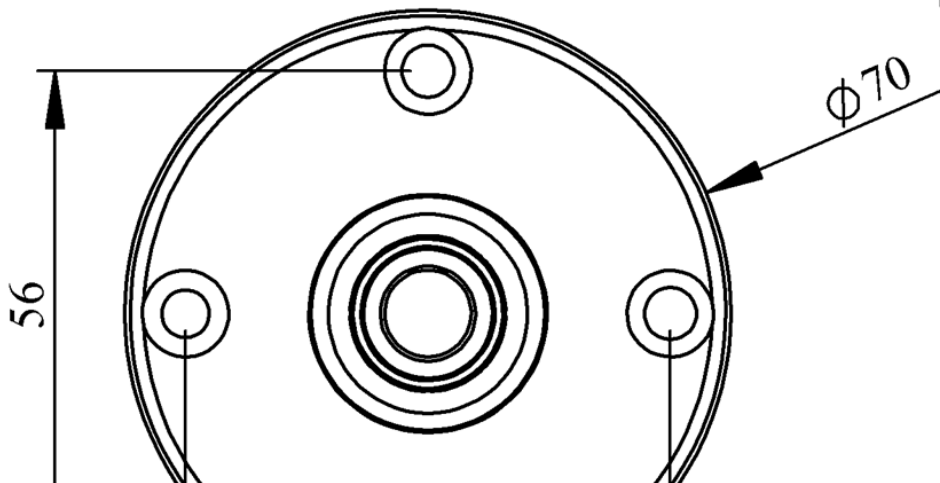
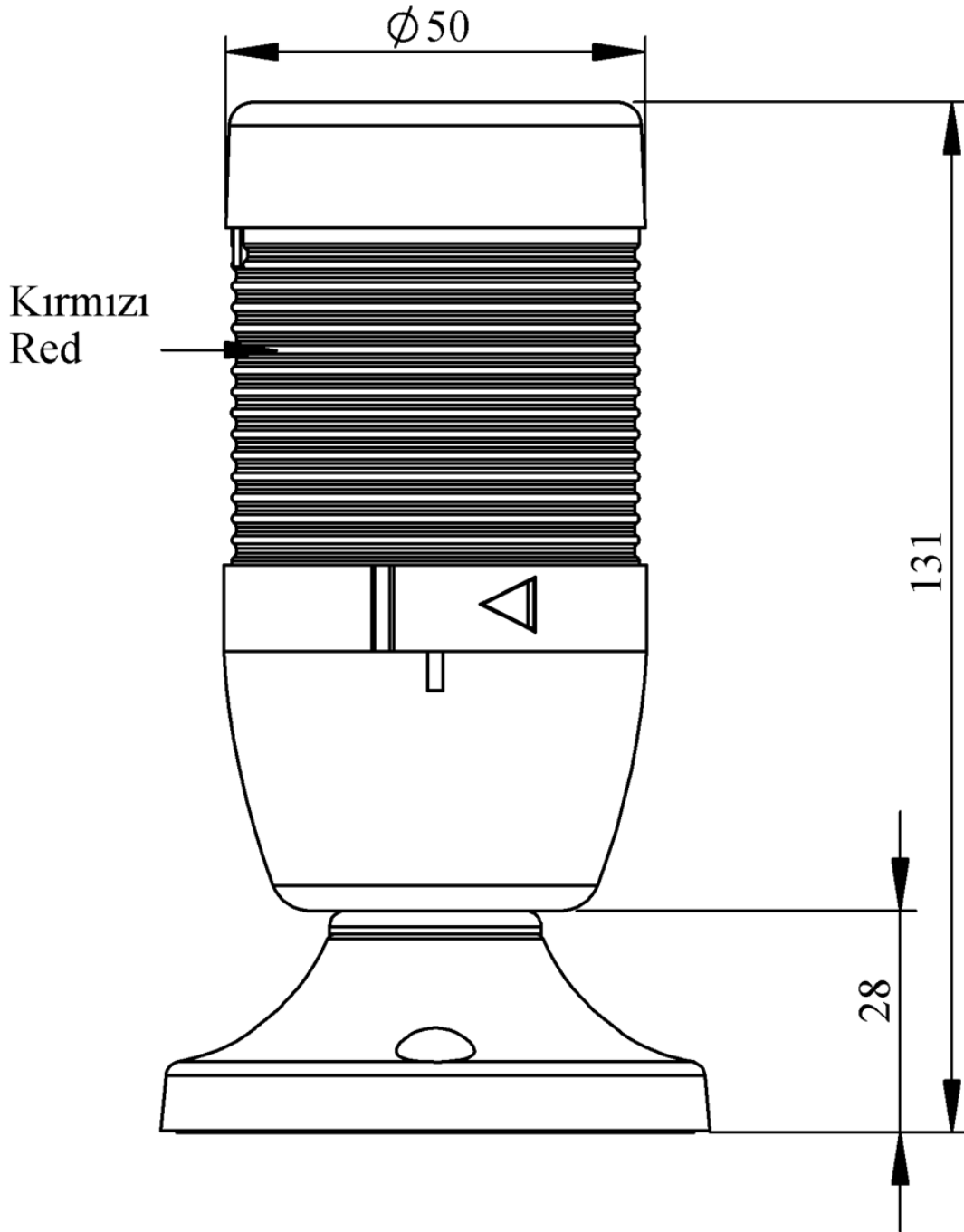


IK51F024XM02

Weight (Gross with Carton)	Gr	174
Bulb Type		LED
Operational Frequency		50 Hz
Operational Voltage		24V AC/DC
Product		LED Tower 50mm
Mounting		45mm Tube Plastic Base
Color		Single Level
Illumination		Flasher
Power Consumption		1W
Operating Frequency	On-Off/Hour	1 Hz
Insulation Voltage	Ui	300V
Operating Temperature		-25 °C /+70 °C
Protection Degree		IP40
Cable Section		0,75-1,5 mm ²
Screw Torque		1,8Nm
Lampholder Type		BA15S
Production Time		31.12.1899 00:00:00
Serial		IK Series
Electrical Life	Min Hour	10000
Specifications		Heat resistant, clear vision Polycarbonate signal modules
		Modular construction
		Easy wiring
		Variety of connection bases



Spire.XLS

Free version is limited to 5 sheets per workbook and 200 rows per sheet. This limitation is enforced during reading or writing XLS or PDF files. When converting Excel files to PDF files, you can only get the first 3 pages of PDF file.

[Upgrade to Commercial Edition of Spire.XLS](#)