



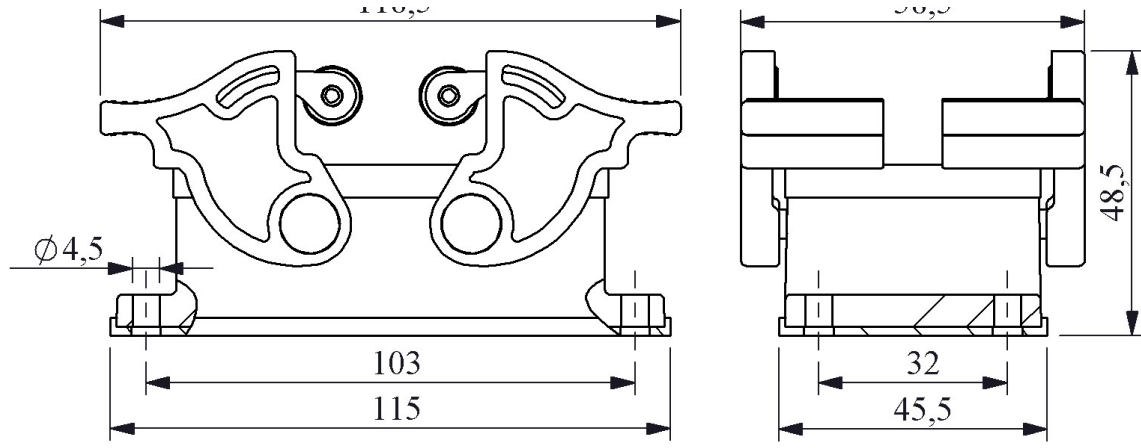
### EBM16GM44

<b>Product</b>		Multipole
<b>Type</b>		Machine Type Empty Hood
<b>Contact</b>		16 Poles
<b>Mechanical Life</b>	<b>Min Qty</b>	≥ 500
<b>Operating Frequency</b>	<b>On-Off/Hour</b>	Mech.240
<b>Operating Temperature</b>		-40 / +125 °C
<b>Protection Degree</b>		IP65
<b>Body Material</b>		Metal
<b>Production Time</b>		31.12.1899 00:00:00
<b>Serial</b>		EBM Series
<b>Entry</b>		Bottom Entry
<b>Locking</b>		4 Handle
<b>Specifications</b>		Wide product variety
		IP65 in closed position
		Universal inserts
		Easy cabling
		Different locking types
		Powdercoated metal housing



118.5

58.5



Kontak Sayısı: 16P+E