



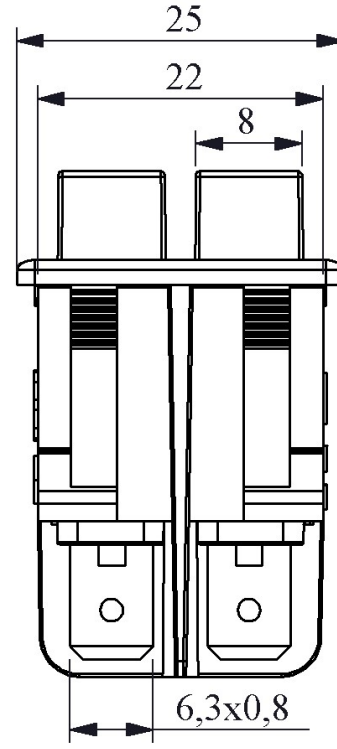
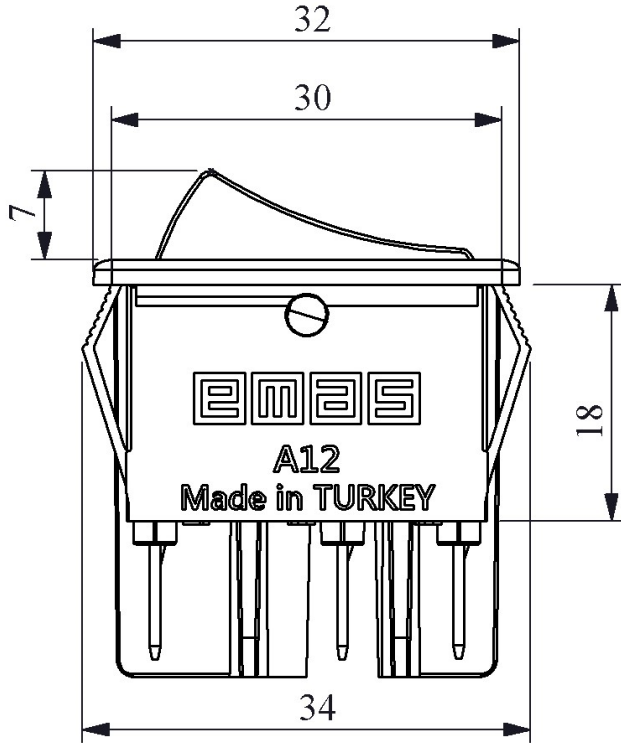
A12W1K11

Product	Rocker Switch
Serial	A12 Series
Connection / Nominal Dimension	30*22mm
Body Color	White Body
Contact	1NO+1NO
Illumination	with Illumination
Connection Type	with Terminal
Print	(0-I) Marked
Color	Red
Current	Ie 16 A (250V AC)
Usage Category	AC15
Mechanical Life (Min Qty)	50000
Electrical Life (Min Qty)	50000
Operating Frequency (On-Off/Hour)	Mech.900 Elec.900
Insulation Voltage (Ui)	300 V
Impulse Withstand Voltage (Uimp)	2.5 kV
Dielectric Strength (Body-Contact)	2.500V AC
Dielectric Strength (Contact-Contact)	1.500V AC
Isolation Resistance	10 MΩ min. (500V DC)
Operating Temperature	-25 / +80 °C
Pollution Degree	3
Protection Degree	IP20
Contact Material	AgNi
Cable Section	Terminal 6,3*0,8 mm
	1 kA
Specifications	With or w/o illumination options

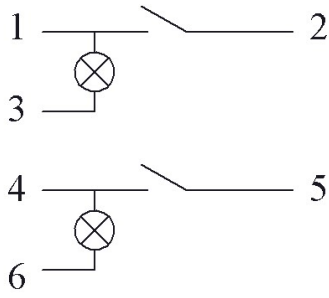
Black or white body and 4 colour button options

Standards / Certificates TS EN 61058-1





Devre Şeması



Montaj Ölçüsü 30,2x22,2 mm